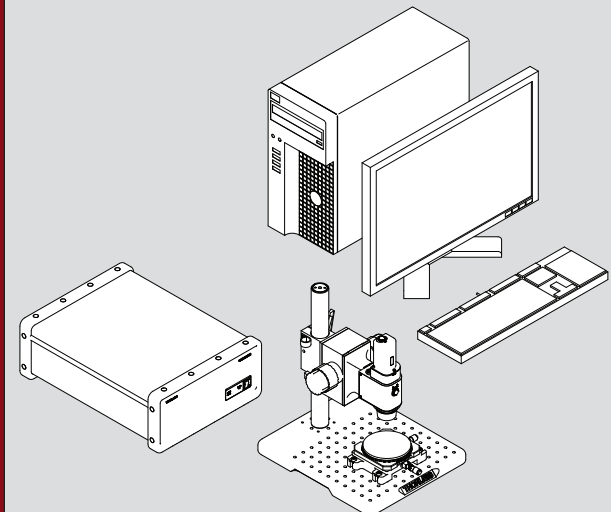


Ganymede Series OCT Systems

GANYMEDe SERIES PRECONFIGURED SYSTEMS				
ITEM #	GAN210C1	GAN610C1	GAN220C1	GAN620C1
Base Unit	GAN210	GAN610	GAN220	GAN620
Center Wavelength	930 nm		900 nm	
Scanning System	OCTG-900 (Standard Scanner)			
Scan Lens Kit	OCT-LK3-BB		OCT-LK2-BB	
Reference Length Adapter	OCT-RA3		OCT-RA2	
Accessories	OCT-STAND(/M) and OCT-XYR1(/M)			



GAN210C1
The GAN210C1 configuration consists of a GAN210 high-resolution and high-sensitivity 930 nm base unit, standard scanner, general-purpose scan lens kit, reference length adapter, stand, and stage.

GANYMEDe SERIES OCT BASE UNIT SPECIFICATIONS				
ITEM #	GAN210	GAN610	GAN220	GAN620
Center Wavelength	930 nm		900 nm	
Imaging Depth (Air/Water)	2.9 mm / 2.2 mm	2.7 mm / 2.0 mm	1.9 mm / 1.4 mm	
Axial/Depth Resolution (Air/Water)	6.0 μm / 4.5 μm		3.0 μm / 2.2 μm	
A-Scan/Line Rate	5.5 kHz to 36 kHz	5 kHz to 248 kHz	5.5 kHz to 36 kHz	5 kHz to 248 kHz
Sensitivity*	101 dB (at 5.5 kHz)	102 dB (at 5 kHz)	101 dB (at 5.5 kHz)	102 dB (at 5 kHz)
Base Unit Dimensions	420 mm x 320 mm x 149 mm			

*Typical Values Measured Using a Common Path Probe with 50% Beamsplitter

