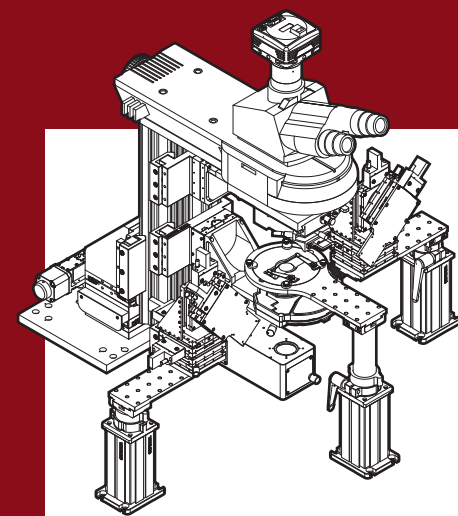
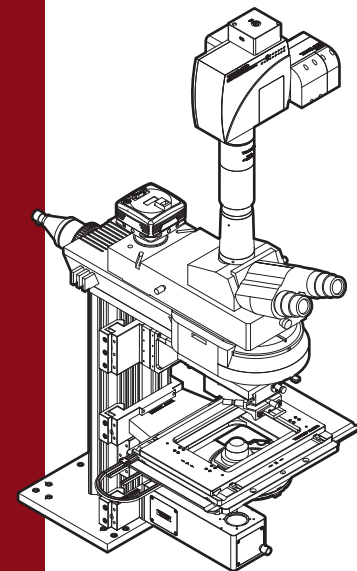


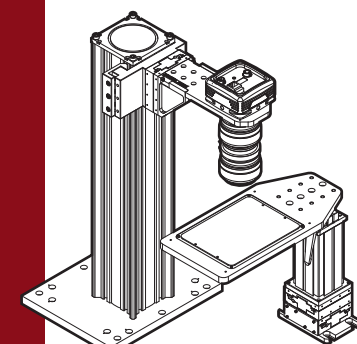
Cerna Series Microscopy Platform



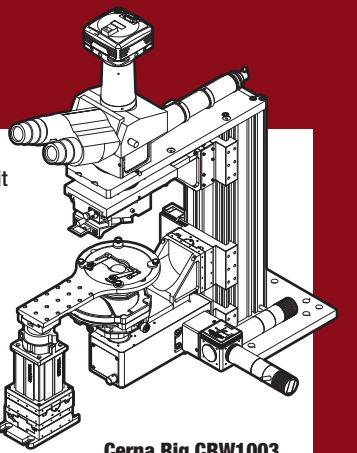
Cerna Rig CRE1003
This configuration is designed for electrophysiology experiments and includes rigid stands for micromanipulators.



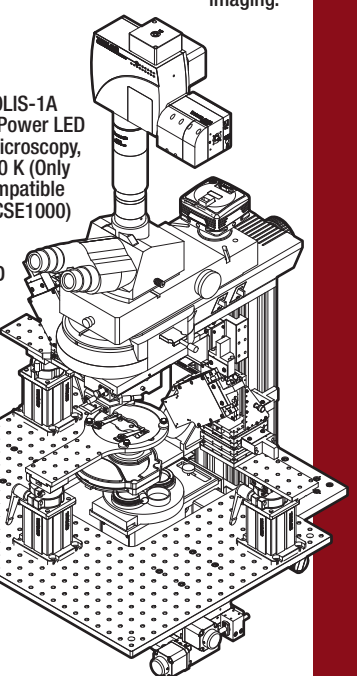
Cerna Rig CRC1002
This confocal microscope uses a Nikon dual camera port and fast XY Scanning stage.



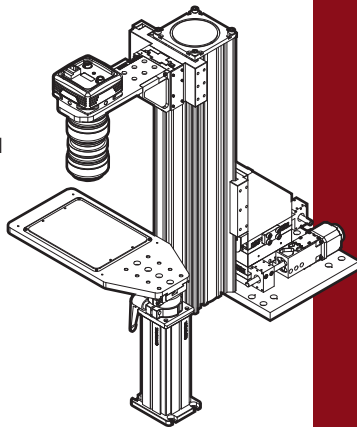
Cerna Rig CRF1001
The CFB1500 500 mm Tall Microscope Body is designed to support setups for intrinsic signal imaging.



Cerna Rig CRW1003
This widefield imaging microscope includes a module for Dot contrast imaging.



Cerna Rig CRE1005
With a platform for micromanipulators and double camera port, this microscope combines confocal and electrophysiology capabilities on an upright Cerna microscope.



Cerna Rig CRF1002
This intrinsic imaging rig uses microscope movers to translate the field of view over a stationary sample.

