

# Callisto Series OCT Systems: The Options

## CALLISTO SERIES OCT BASE UNIT SPECIFICATIONS

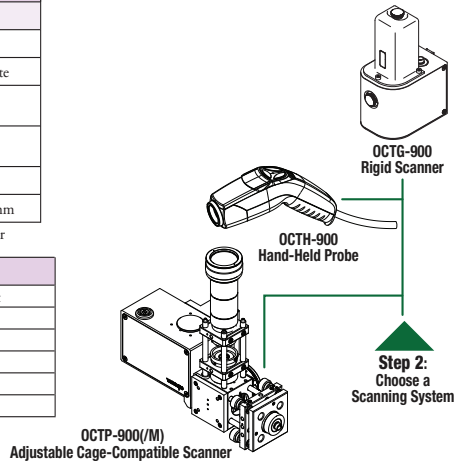
ITEM #	CAL930V1-BU
Center Wavelength	930 nm
Sensitivity <sup>a</sup>	107 dB at Max A-Scan Rate
Axial/Depth Resolution (Air/Water)	7 μm / 5.3 μm
Imaging Depth Range (Air)	1.7 mm
A-Scan/Line Rate	1.2 kHz
Base Unit Dimensions	420 mm x 320 mm x 149 mm

<sup>a</sup>Using a Common Path Probe with 50% Beamsplitter

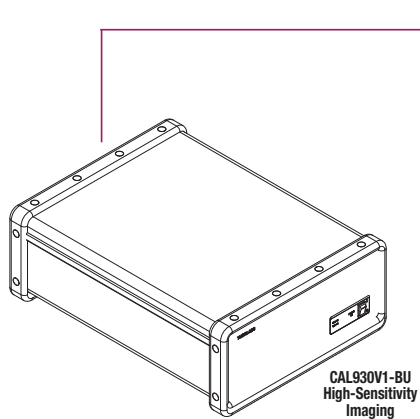
## COMPUTER SPECIFICATIONS<sup>b</sup>

Operating System	Windows 7, 64 Bit
Processor	Dual Core
Processor Speed	≥2.5 GHz
Memory	4 GB
Hard Drive	≥250 GB
Data Acquisition	USB

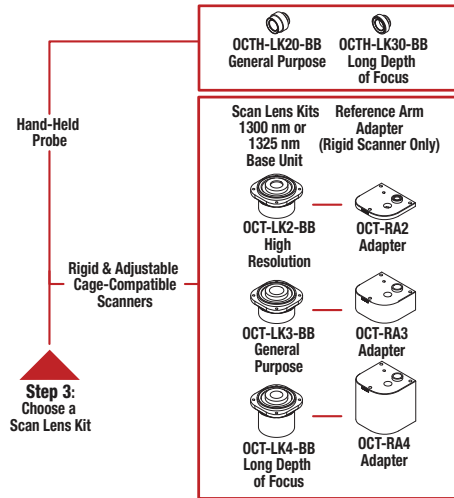
<sup>b</sup> Computer Specifications Subject to Change



Step 2:  
Choose a  
Scanning System

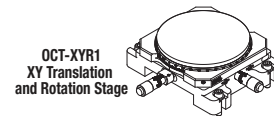
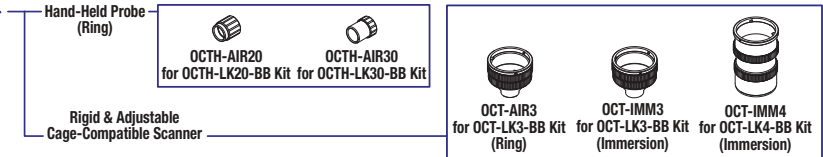


Step 1:  
Choose a  
Base Unit

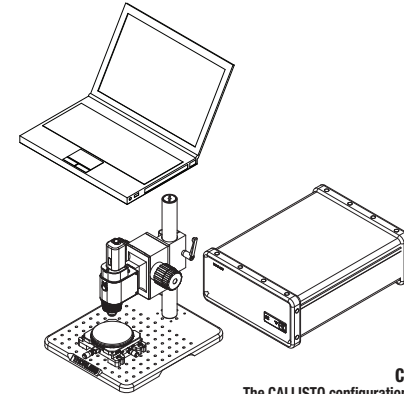
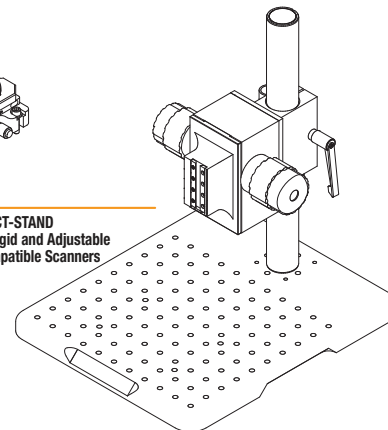


Step 4:  
Choose a Z-Spacer  
(Optional)

Step 5:  
Choose Accessories  
(Optional)



OCT-STAND  
Stand for Rigid and Adjustable  
Cage-Compatible Scanners



**CALLISTO**  
The CALLISTO configuration consists of a 930 nm base unit, rigid scanner, general-purpose scan lens kit, adjustable immersion Z-Spacer, stand, and stage.