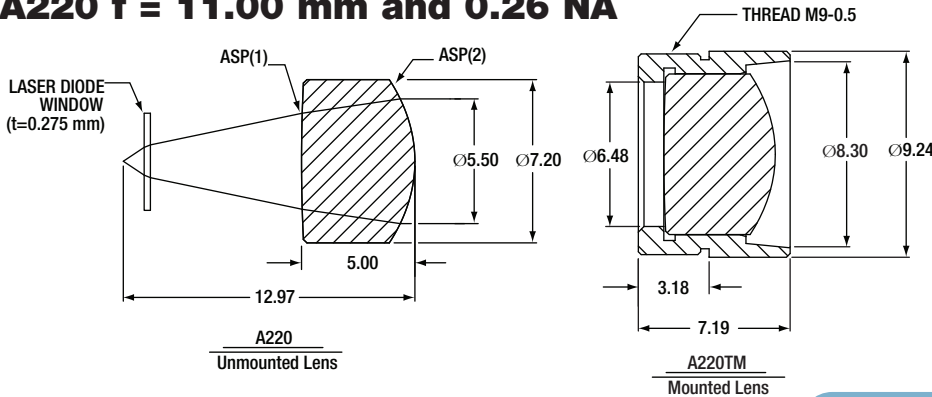


A220 f = 11.00 mm and 0.26 NA



Aspheric Coefficients

All Dimensions are in Millimeters
Please refer to our website for complete models and drawings.

	R	k	A ₄	A ₆	A ₈	A ₁₀
ASP (1)	-72.47	-	-	-	-	-
ASP (2)	5.97	-	-3.3835580E-04	-1.3053900E-05	1.0982500E-06	1.3742680E-07

Unmounted, AR-Coated Aspheric Lenses

ITEM#	\$	£	€	RMB	DESCRIPTION
A220	\$ 77.00	£ 53.40	€ 68.40	¥ 650.20	Lens, Uncoated
A220-A	\$ 82.00	£ 56.90	€ 72.90	¥ 692.50	Lens, AR-Coated: 350 - 700 nm
A220-B	\$ 82.00	£ 56.90	€ 72.90	¥ 692.50	Lens, AR-Coated: 650 - 1050 nm
A220-C	\$ 82.00	£ 56.90	€ 72.90	¥ 692.50	Lens, AR-Coated: 1050 - 1620 nm

Mounted, AR-Coated Aspheric Lenses

ITEM#	\$	£	€	RMB	DESCRIPTION
A220TM	\$ 82.00	£ 56.90	€ 72.90	¥ 692.50	Mounted Lens, Uncoated
A220TM-A	\$ 87.00	£ 60.40	€ 77.30	¥ 734.70	Mounted Lens, AR-Coated: 350 - 700 nm
A220TM-B	\$ 87.00	£ 60.40	€ 77.30	¥ 734.70	Mounted Lens, AR-Coated: 650 - 1050 nm
A220TM-C	\$ 87.00	£ 60.40	€ 77.30	¥ 734.70	Mounted Lens, AR-Coated: 1050 - 1620 nm

Rochester Precision Molded Glass Aspheric Lens

Optical Design Specifications

- Design Wavelength: 633 nm
- Numerical Aperture: 0.26
- Clear Aperture: Ø5.50 mm
- Effective Focal Length: 11.00 mm
- Working Distance: 7.97 mm
- Magnification: Infinite
- Laser Window Thickness: 0.275 mm
- Laser Window Material/Index: N-BK7/1.517
- RMS WFE (Typical):* 0.030 Waves
- Surface Quality: 40-20 Scratch-Dig
- Glass (CDGM): D-K59

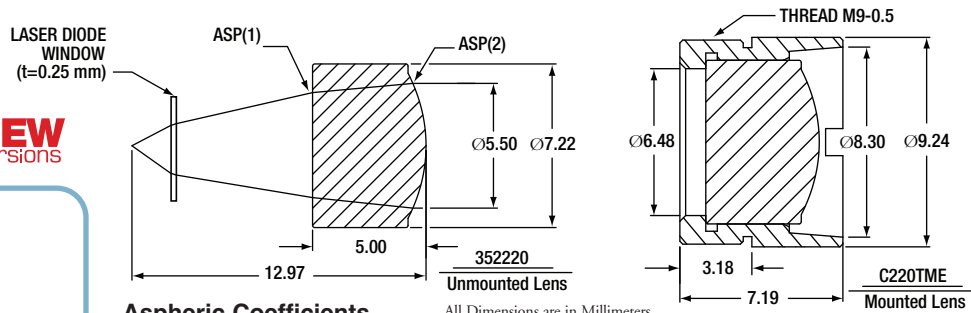
*Wavefront error is averaged over full aperture

352220 f = 11.00 mm and 0.25 NA

New 1.06 µm V-Coating



NEW
versions



Aspheric Coefficients

All Dimensions are in Millimeters

	R	k	A ₄	A ₆	A ₈	A ₁₀
ASP (1)	-	-	-	-	-	-
ASP (2)	6.64	-0.5500112	2.6715670E-06	-4.1960626E-07	-	-

Unmounted, AR-Coated Aspheric Lenses

ITEM#	\$	£	€	RMB	DESCRIPTION
352220-A	\$ 82.00	£ 56.90	€ 72.90	¥ 692.50	Lens, AR-Coated: 350 - 700 nm
352220-B	\$ 82.00	£ 56.90	€ 72.90	¥ 692.50	Lens, AR-Coated: 650 - 1050 nm
352220-C	\$ 82.00	£ 56.90	€ 72.90	¥ 692.50	Lens, AR-Coated: 1050 - 1620 nm
352220-1064	\$ 82.00	£ 56.90	€ 72.90	¥ 692.50	Lens, AR-Coated: 1054 - 1074 nm

Mounted, AR-Coated Aspheric Lenses

ITEM#	\$	£	€	RMB	DESCRIPTION
C220TME-A	\$ 87.00	£ 60.40	€ 77.30	¥ 734.70	Mounted Lens, AR-Coated: 350 - 700 nm
C220TME-B	\$ 87.00	£ 60.40	€ 77.30	¥ 734.70	Mounted Lens, AR-Coated: 650 - 1050 nm
C220TME-C	\$ 87.00	£ 60.40	€ 77.30	¥ 734.70	Mounted Lens, AR-Coated: 1050 - 1620 nm
C220TME-1064	\$ 87.00	£ 60.40	€ 77.30	¥ 734.70	Mounted Lens, AR-Coated: 1054 - 1074 nm

Geltech™ Molded Glass Aspheric Lens

Optical Design Specifications

- Design Wavelength: 633 nm
- Numerical Aperture: 0.25
- Clear Aperture: Ø5.50 mm
- Effective Focal Length: 11.00 mm
- Working Distance: 7.97 mm
- Magnification: Infinite
- Laser Window Thickness: 0.25 mm
- Laser Window Material/Index: N-BK7/1.517
- RMS WFE (Axial @ 632.8 nm):* <Diffraction Limit
- Surface Quality: 40-20 Scratch-Dig
- Glass: ECO-550

*Wavefront error is averaged over full aperture

Geltech™ lenses are manufactured by LightPath® Technologies

Please See Page 626 for AR Coating Curve

1.06 µm V-Coating

1.06 µm V-Coating