

# 1" Travel Dovetail Stages

The DT25 dovetail translation stages are economical, entry-level positioners ideal for use in general positioning applications. They provide a travel range of 1.0" with 0.04" (1 mm) travel per revolution of the adjuster.

The design uses a precision-rolled, M6 x 1.0 mm pitch leadscrew for smooth, linear positioning along the entire range of travel. The moving platform is lockable to guard against accidental movement.

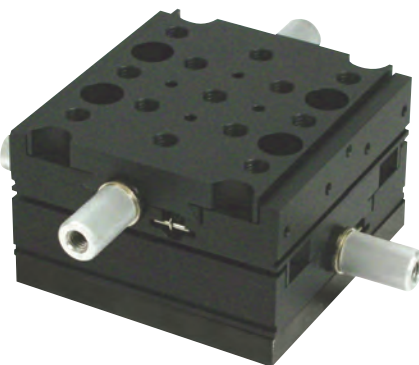
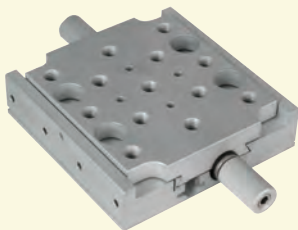
The modular design allows them to be assembled in 2-axis configurations. Dowel pins are included to maintain perpendicularity when constructing an XY configuration. When mounted to an optical table, the DT25A base plate can be used to increase the deck height by 0.31" (8 mm).

**NEW**  
products



DT25

**DT25-V Vacuum-  
Compatible  
Version Available**



Two DT25 Stages  
in an XY Configuration  
with DT25A Riser Plate

### Features

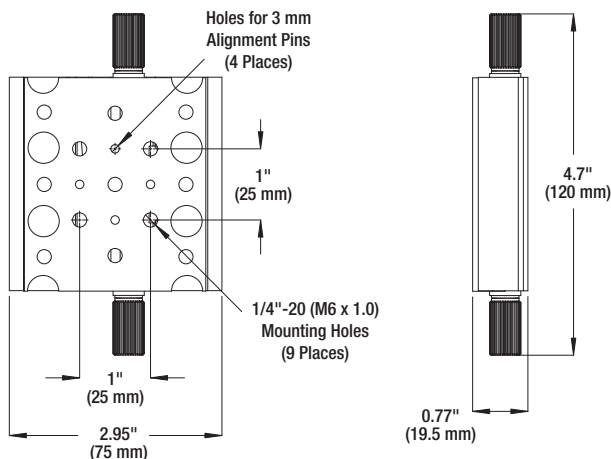
- Modular and Compact Design
- Dovetail Mechanism
- Lockable Moving Platform
- Rapid and Smooth Positioning

### Specifications

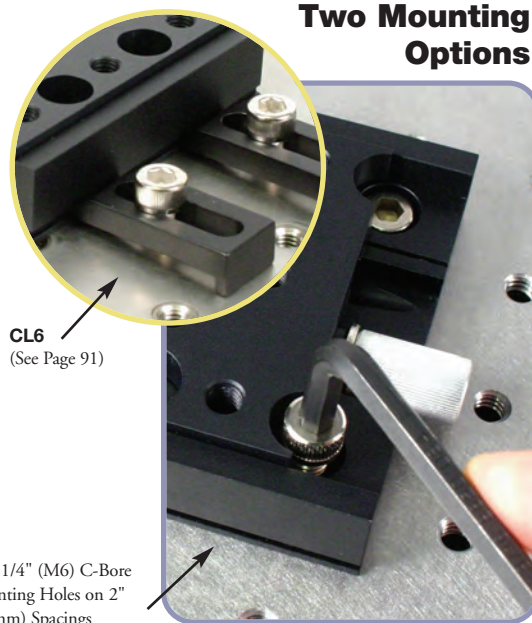
- **Travel Range:** 1.0"
- **Maximum Load:** 5.0 lbs (2.4 kg)
- **Actuator Travel:** 0.04" (1 mm) per Revolution
- **Construction:** Aluminum with Precision Steel Leadscrew
- **Vacuum:** 10<sup>-6</sup> Torr (V Version Only)



Ideal for general purpose low-precision laboratory use.



### Two Mounting Options



CL6  
(See Page 91)

Four 1/4" (M6) C-Bore  
Mounting Holes on 2"  
(50 mm) Spacings

### 1.0" (25 mm) Dovetail Stage

ITEM#	METRIC ITEM#	\$	£	€	RMB	DESCRIPTION
DT25	DT25/M	\$ 128.00	£ 88.80	€ 113,70	¥ 1,080.90	1.0" Dovetail Translation Stage
DT25A	DT25A*	\$ 20.50	£ 14.30	€ 18,30	¥ 173.20	Riser Plate for DT25
DT25-V	DT25/M-V	\$ 215.00	£ 149.10	€ 190,90	¥ 1,815.50	1.0" Vacuum Dovetail Translation Stage
DT25A-V	DT25A-V*	\$ 25.60	£ 17.80	€ 22,80	¥ 216.20	Vacuum Riser Plate for DT25V

\*Universal Design, Imperial and Metric Compatible.

**NEW**  
**NEW**