

Ø1/2" Slip-On Post Collars

All items shown on this page have fully dimensioned mechanical drawings that are posted to our website.

ITEM#	METRIC ITEM#	SIZE	\$	£	€	RMB
R2†	R2/M	1"OD x 1/2" ID	\$ 3.33	£ 2.10	€ 3,10	¥ 31.80

† Popular Products @ More Popular Prices

Ø1/2" Posts

These stainless steel posts are precision ground to Ø0.499" diameter. One end has a 1/4"-20 (M6) tapped hole; the other end has a removable #8-32 (M4) threaded stud.

ITEM#	LENGTH	METRIC ITEM#	LENGTH	\$	£	€	RMB
TR075†	3/4"	TR20/M	20mm	\$ 4.74	£ 3.00	€ 4,40	¥ 45.30
TR1†	1"	TR30/M	30mm	\$ 4.74	£ 3.00	€ 4,40	¥ 45.30
TR1.5†	1.5"	TR40/M	40mm	\$ 4.97	£ 3.10	€ 4,60	¥ 47.40
TR2†	2"	TR50/M	50mm	\$ 5.19	£ 3.30	€ 4,80	¥ 49.50
TR3†	3"	TR75/M	75mm	\$ 5.42	£ 3.40	€ 5,00	¥ 51.70
TR4†	4"	TR100/M	100mm	\$ 5.87	£ 3.70	€ 5,50	¥ 56.10
TR6†	6"	TR150/M	150mm	\$ 6.77	£ 4.30	€ 6,30	¥ 64.70
TR8†	8"	TR200/M	200mm	\$ 8.12	£ 5.10	€ 7,60	¥ 77.50
TR10†	10"	TR250/M	250mm	\$ 9.02	£ 5.70	€ 8,40	¥ 86.10
TR12†	12"	TR300/M	300mm	\$10.82	£ 6.80	€10,10	¥ 103.30

† Popular Products @ More Popular Prices

Ø1/2" Post Holders

Thorlabs' Post Holders are designed with a wide, square relief cut that provides a highly stable two line contact for the mating post. A spring-loaded plunger within the brass thumbscrew holds the steel post firmly within the post holder prior to final tightening. This allows one-handed positioning of post-mounted devices.

ITEM#	LENGTH	METRIC ITEM#	LENGTH	\$	£	€	RMB
PH1-ST†	1"	PH1/M	25mm	\$ 7.03	£ 4.40	€ 6,50	¥ 67.10
PH1.5-ST†	1.5"	PH1.5/M	40mm	\$ 7.22	£ 4.50	€ 6,70	¥ 69.00
PH2-ST†	2"	PH2/M	50mm	\$ 7.70	£ 4.80	€ 7,20	¥ 73.50
PH3-ST†	3"	PH3/M	75mm	\$ 8.27	£ 5.20	€ 7,70	¥ 78.90
PH4-ST†	4"	PH4/M	100mm	\$ 9.17	£ 5.80	€ 8,50	¥ 87.50
PH6-ST†	6"	PH6/M	150mm	\$ 12.64	£ 8.00	€ 11,80	¥ 120.70

† Popular Products @ More Popular Prices

Standard Bases

All Thorlabs mounting bases are machined with bottom relief cuts that ensure stable mounting. Bases are attached to post holders via socket cap screws that fit within a bottom-located counterbored clearance hole. All bases are compatible with either imperial or metric tables, posts, and post holders.

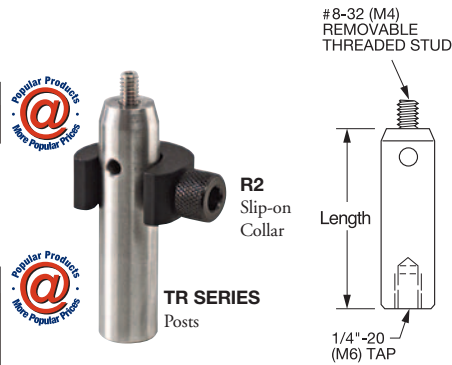
ITEM#	SIZE	\$	£	€	RMB
BA1†	1" x 3" x 3/8" (25 x 76 x 10mm)	\$ 5.56	£ 3.50	€ 5,20	¥ 53.10
BA1S†	1" x 2.3" x 3/8" (25 x 58 x 10mm)	\$ 5.13	£ 3.20	€ 4,80	¥ 49.00
BA2†	2" x 3" x 3/8" (51 x 76 x 10mm)	\$ 7.27	£ 4.60	€ 6,80	¥ 69.40
BA3	2" x 3" x 3/8" (51 x 76 x 10mm)	\$ 8.80	£ 5.50	€ 8,20	¥ 84.00

† Popular Products @ More Popular Prices

*Overall size Ø3.00" Long

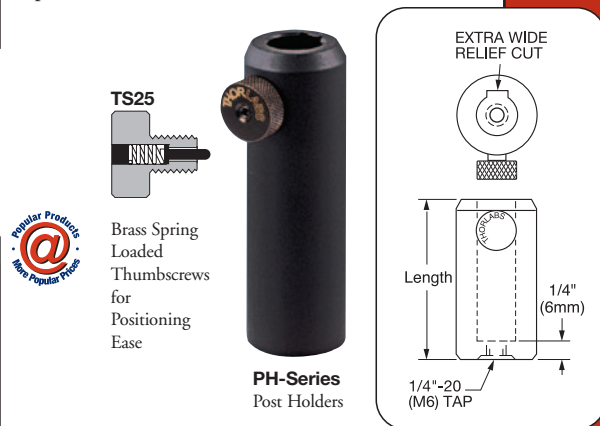


±45° of Manual Rotation



Japanese Customers

When ordering Ø12mm Posts use **-JP** on all metric item numbers (Example: TR50/M-JP). The Ø12mm Posts are compatible with our PH Series Post Holders and all Ø1/2" TR-related products.



Locking Thumbscrew for Post Holders



TS25B031

This hex brass thumbscrew offers extra holding power while protecting the steel post from marring. The TS25B031 is compatible with both imperial and metric post holders.

ITEM#	\$*	£*	€*	RMB*
TS25B031	\$ 12.40	£ 7.80	€ 11,50	¥ 118.40

*Priced and Packaged 10 Per Box

Spring-Loaded Thumbscrew

This thumbscrew is designed to hold firmly steel posts within post holders prior to final tightening, allowing one-handed positioning of post-mounted devices.



Spring Loaded Tip

ITEM#	\$	£	€	RMB
TS25	\$ 2.10	£ 1.30	€ 2,00	¥ 20.10

*Compatible With Imperial & Metric Post Holders

Mounting Basics

Optical Rails

Mirror Mounts

Lens Mounts

Filter Mounts

Rotation Mounts

Adapters

V-Mounts

Apertures & Iris Diaphragms

Lens Tubes

Cage Systems