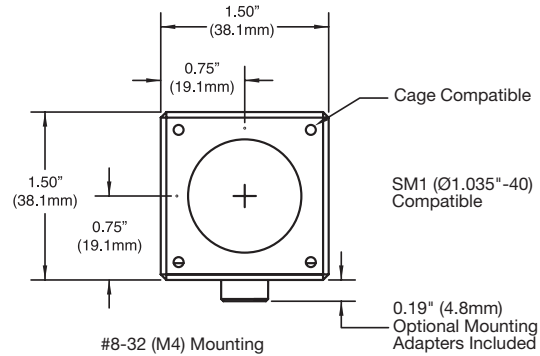
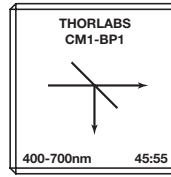
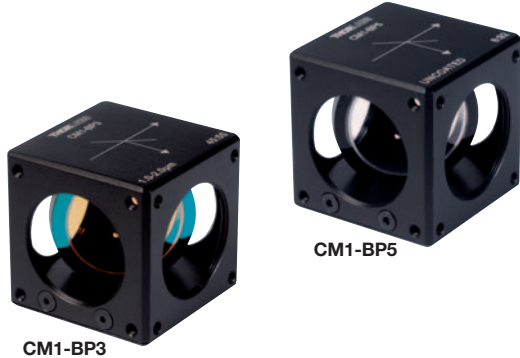
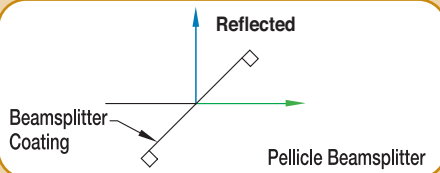


Cube Mounted Pellicle Beamsplitters

- Maximum Protection for Easy Handling
- 30mm Cage System Compatible
- Imperial and Metric Post Mountable
- SM1 Thread Compatible

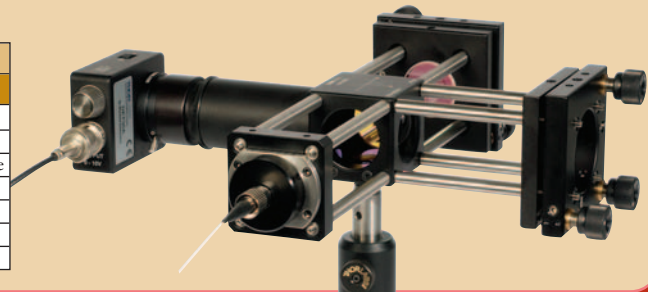


- Mounting Basics
- Optical Rails
- Mirror Mounts
- Lens Mounts
- Filter Mounts
- Rotation Mounts
- Adapters
- V-Mounts
- Apertures & Iris Diaphragms
- Lens Tubes
- Cage Systems



Pellicle Beamsplitters are ideal in applications where dispersion must be minimized. Ghosting is virtually eliminated and wave front error is minimized to less than half of a wave. See our section on Pellicle Beamsplitters on page 826 for more details.

Pellicle Beamsplitter With Michelson Interferometer



MICHELSON INTERFEROMETER WITH PELLICLE BEAMSPLITTER PART LIST					
ITEM#	QTY	DESCRIPTION	ITEM#	QTY	DESCRIPTION
KC1	2	Mirror Mount	SM1V05	1	Ø1" Adj. Lens Tube
BB1-E03	2	Mirrors	SM1D12	1	Ø1" Lens Tube Iris
ER4	12	Rods	CP02FP	1	FiberPort 30mm Cage Plate
CM1-BP2	1	Beamsplitter	SM1L20	1	Ø1" Lens Tube, L=2"
DET36A	1	Si Detector	V-PAF-X-5-B	1	FiberPort
TR2	1	Ø1/2" Post, L=2"	BA2	1	Post Base
PH2-ST	1	Ø1/2" Post Holder	P1-830A-FC-2	1	Single Mode Patch Cable

ITEM#	\$	£	€	RMB	DESCRIPTION
CM1-BP1	\$ 250.00	£ 157.50	€ 232.50	¥ 2,387.50	Cube Mounted Pellicle BP145B1, 45:55 Splitting Ratio From 400-700nm
CM1-BP2	\$ 250.00	£ 157.50	€ 232.50	¥ 2,387.50	Cube Mounted Pellicle BP145B2, 45:55 Splitting Ratio From 700-900nm
CM1-BP3	\$ 250.00	£ 157.50	€ 232.50	¥ 2,387.50	Cube Mounted Pellicle BP145B3, 45:55 Splitting Ratio From 1.0-2.0µm
CM1-BP4	\$ 250.00	£ 157.50	€ 232.50	¥ 2,387.50	Cube Mounted Pellicle BP145B4, 45:55 Splitting Ratio From 3.0-5.0µm
CM1-BP5	\$ 215.00	£ 135.50	€ 200.00	¥ 2,053.30	Cube Mounted Pellicle BP108, 8:92 Splitting Ratio, Uncoated
CM1-BP6	\$ 240.00	£ 151.20	€ 223.20	¥ 2,292.00	Cube Mounted Pellicle BP133, 33:67 Splitting Ratio @ 635nm
CM1-BP7	\$ 240.00	£ 151.20	€ 223.20	¥ 2,292.00	Cube Mounted Pellicle BP150, 50:50 Splitting Ratio @ 635nm

TOOLS OF THE TRADE



- Protection From 190nm to 10.6µm
- Comfortable Frame Style
- CE Certificate Glasses
- Wearable With Prescription Glasses

LASER GOGGLES SEE PAGE 495

Carrying Case Included