

## Fiber Optics

Passive Components

Collimation Packages

FiberBench

Optical Switches

Rackbox Systems

Connectors/  
Termination Tools

Single-Mode Fiber

Rare Earth Doped

Single-Mode: PM

Photonic  
Crystal Fiber

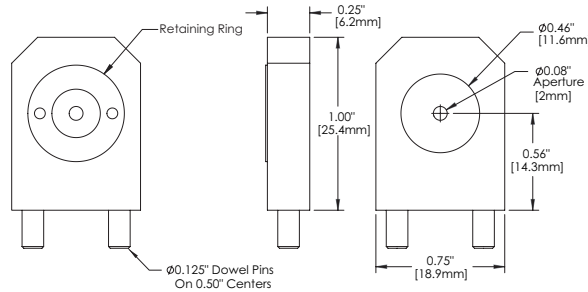
Multimode Fiber:  
Graded Index

Multimode Fiber:  
Step Index

Plastic Optical Fiber

## Attenuator Module

Our two most common neutral density filters, which have attenuations of 3 and 10dB, are available mounted in a 1/2" Optics Mount (HOM, see page 1033). Filters can be added in series to achieve higher attenuation levels.



### Specifications

- Clear Aperture: 2mm
- Surface Flatness:  $\lambda/4$
- Inconel ND Filter

Other attenuation values available by request



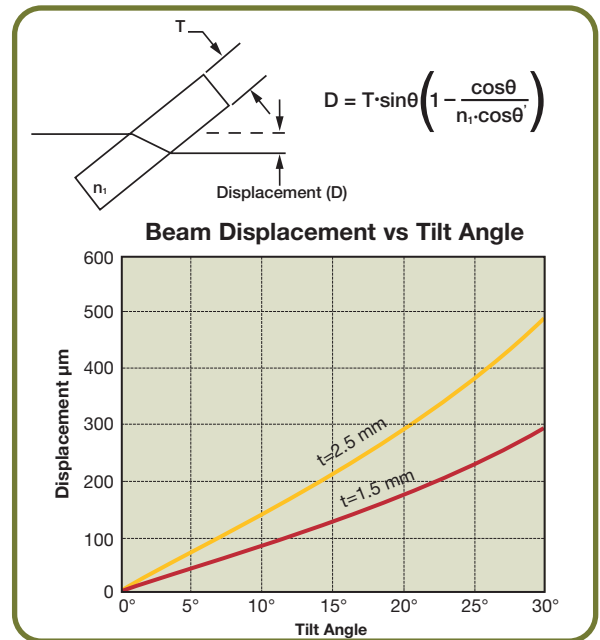
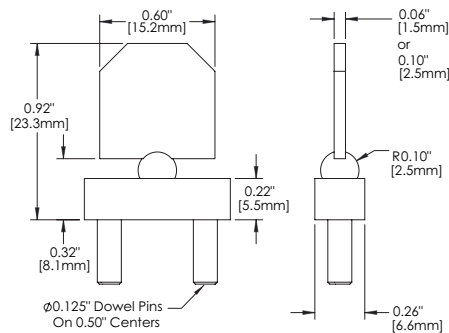
FDB-03

| ITEM#  | \$        | £        | €        | RMB        | DESCRIPTION                   |
|--------|-----------|----------|----------|------------|-------------------------------|
| FDB-03 | \$ 200.00 | £ 126.00 | € 186.00 | ¥ 1,910.00 | FiberBench Attenuator, ND 0.3 |
| FDB-10 | \$ 200.00 | £ 126.00 | € 186.00 | ¥ 1,910.00 | FiberBench Attenuator, ND 1.0 |

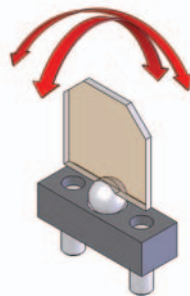
## X-Y Tweaker Module



The X-Y Tweaker Module consists of a precision-polished, AR-coated, plane-parallel plate mounted on a magnetic ball and socket. The plates are offered with a thickness of 1.5mm and 2.5mm and can be rotated and tilted in nearly any orientation. The beam is consequently displaced parallel to the optical axis by as much as  $\pm 500\mu\text{m}$ . Tilting beyond  $30^\circ$  can cause insertion loss because of the angular dependence of the AR coating. If source wanders or drifts are inputted the Tweaker module offers very quick, precise adjustment. Adjustments of a few microns are made easily.



- Use for Precise Beam Steering With Micron-Level Precision
- Vertical and Horizontal Beam Displacement
- Inquire About Using With Special Filters



Adjustable

| ITEM#   | \$        | £        | €        | RMB        | DESCRIPTION                             |
|---------|-----------|----------|----------|------------|---|
| HWXY-A  | \$ 180.00 | £ 113.40 | € 167.40 | ¥ 1,719.00 | Tweaker Module 1.5mm Thick, 350-650nm   |
| HWXY-B  | \$ 180.00 | £ 113.40 | € 167.40 | ¥ 1,719.00 | Tweaker Module 1.5mm Thick, 650-1050nm  |
| HWXY-C  | \$ 180.00 | £ 113.40 | € 167.40 | ¥ 1,719.00 | Tweaker Module 1.5mm Thick, 1050-1620nm |
| HWXYT-A | \$ 180.00 | £ 113.40 | € 167.40 | ¥ 1,719.00 | Tweaker Module 2.5mm Thick, 350-650nm   |
| HWXYT-B | \$ 180.00 | £ 113.40 | € 167.40 | ¥ 1,719.00 | Tweaker Module 2.5mm Thick, 650-1050nm  |
| HWXYT-C | \$ 180.00 | £ 113.40 | € 167.40 | ¥ 1,719.00 | Tweaker Module 2.5mm Thick, 1050-1620nm |

Visit  
www.thorlabs.com  
For Mechanical  
Drawings and  
Our New  
Solid Models

