

For current pricing, please see our website.

CHAPTERS

Tables/
Breadboards

Mechanics

Optomechanic
Devices

Kits

Lab Supplies

SECTIONS

Mini Series

Ø1/2" Post
Assemblies

Ø1" Post
Assemblies

Ø1.5" Post
Assemblies

Mounting/Angle
Brackets

Lab Platforms

Instrument Shelves

Lens Tubes

Cage Systems

Optical Rails

Mirror Mounts

Kinematic Mounts

Fixed Mounts

Translation Mounts

Rotation Mounts

Filter Mounts

V-Mounts

Iris/Apertures

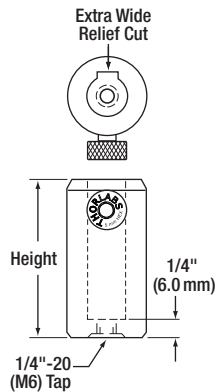
Adapters

Ø1/2" Post Holders

Each Ø1/2" Post Holder has a wide, square relief cut that provides a highly stable two-line contact for the mating post. A spring-loaded plunger within the anodized aluminum thumbscrew [TS25H (TS25H/M)] holds the steel post firmly within the post holder prior to final tightening. This allows easy, one-handed height adjustment of post-mounted devices.



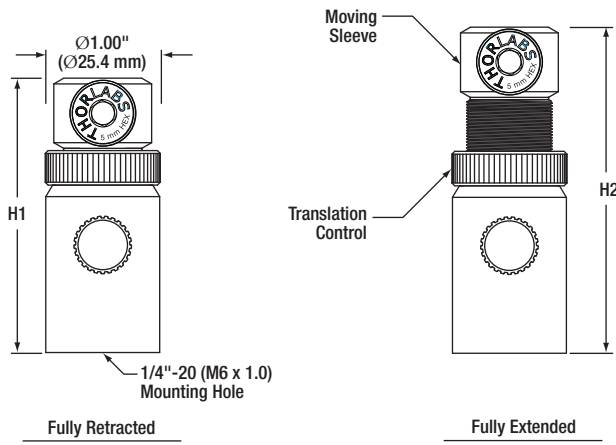
Typical Application
TR3E Engraved Post,
PH3 Post Holder, and BA2 Base



ITEM #	METRIC ITEM #	HEIGHT	\$	£	€	RMB
PH1	PH1/M	1" (25.4 mm)	\$ 7.03	£ 5.06	€ 6,12	¥ 56.03
PH1.5	PH1.5/M	1.5" (38.1 mm)	\$ 7.22	£ 5.20	€ 6,28	¥ 57.54
PH2	PH2/M	2" (50.8 mm)	\$ 7.70	£ 5.54	€ 6,70	¥ 61.37
PH3	PH3/M	3" (76.2 mm)	\$ 8.27	£ 5.95	€ 7,19	¥ 65.91
PH4	PH4/M	4" (101.6 mm)	\$ 9.17	£ 6.60	€ 7,98	¥ 73.08
PH6	PH6/M	6" (152.4 mm)	\$ 12.64	£ 9.10	€ 11,00	¥ 100.74

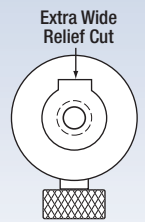
Ø1/2" Translating Post Holders

Our Translating Post Holders provide lockable, non-rotating height adjustment with convenient one-handed operation. An anodized aluminum thumbscrew [TS25H (TS25H/M)] with a spring-loaded plunger provides holding force while the wide, square relief cut within the Ø1/2" post bore offers a stable two-line contact. A knurled adjustment ring actuates the non-rotating height adjustment, offering 0.025" (0.6 mm) of fine translational adjustment per revolution. Once a desired position is achieved, the entire mechanism can be locked in place with the lower thumbscrew.



Enhanced Locking Mechanism

All of our Ø1/2" post holders feature an extra wide square relief cut machined vertically along the length of the part, as shown in the drawing to the right. This channel provides a highly stable two-line contact between the post and the post holder. Other post holder designs that do not have a relief cut provide less holding power, which leads to a downward drift in the post's position with time.



ITEM #	METRIC ITEM #	H1	H2	\$	£	€	RMB	DESCRIPTION
PH2T	PH2T/M	2.38" (60.5 mm)	2.83" (71.9 mm)	\$ 54.00	£ 38.88	€ 46,98	¥ 430.38	2" (50.8 mm) Translating Post Holder
PH3T	PH3T/M	2.96" (75.2 mm)	3.61" (91.7 mm)	\$ 56.00	£ 40.32	€ 48,72	¥ 446.32	3" (76.2 mm) Translating Post Holder