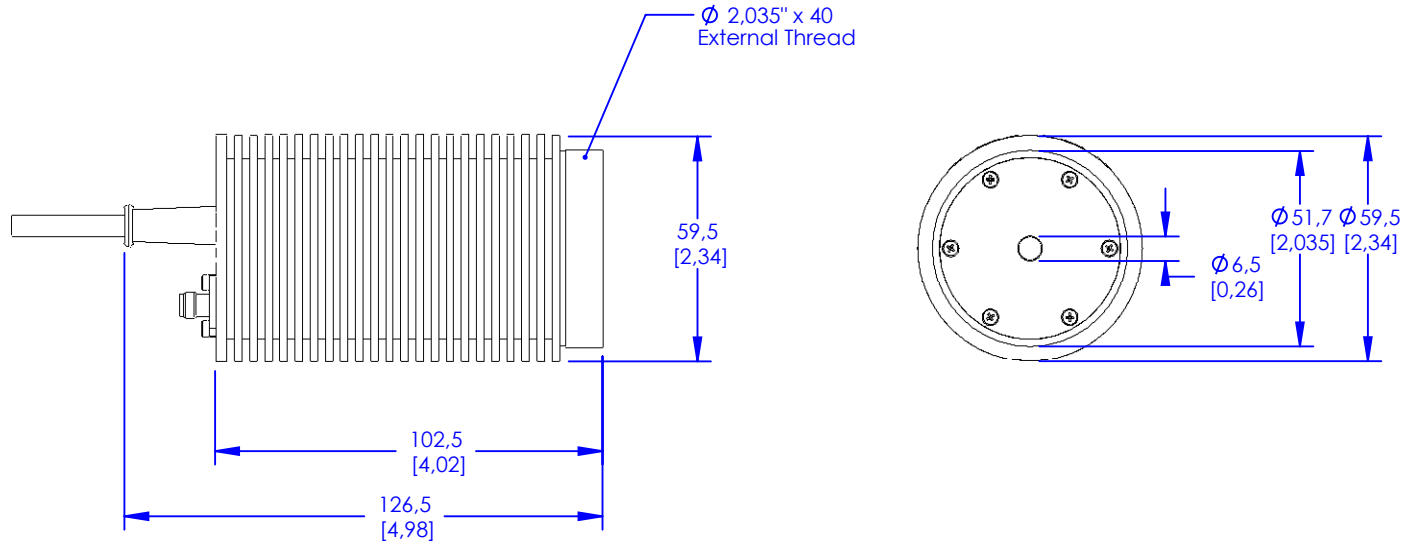


REV. #	DESCRIPTION:	NAME/DATE:
A	INITIAL RELEASE	Mack 10/08/08



**SPECIFICATIONS:**

LEDD3-365  
 Nominal Wavelength 365 nm  
 Maximum Current 700 mA  
 Cut-off Frequency 90 MHz

**TOLERANCES**

UNLESS OTHERWISE SPECIFIED:  
**DIMENSIONS ARE IN MILLIMETERS AND INCHES**  
**LINEAR TOLERANCES:**

	NAME	DATE
DRAWN	Mack	10/08/08
ENG APPR.	Mack	10/08/08
MFG APPR.	XX	XX/XX/XX

**PROPRIETARY AND CONFIDENTIAL**  
 THE INFORMATION CONTAINED IN THIS DRAWING IS THE SOLE PROPERTY OF THORLABS, INC. ANY REPRODUCTION IN PART OR AS A WHOLE WITHOUT THE WRITTEN PERMISSION OF THORLABS, INC. IS PROHIBITED.

**THORLABS INC.** PO BOX 366  
 NEWTON NJ

TITLE: LEDD3-365

MATERIAL: Aluminium SIZE A REV. A

SCALE: 2:1 SHEET 1 OF 2

DWG. NO. 18320-E01 PART NO. LEDD3-365

NOTE:  
 FOR INFORMATION ONLY.  
 NOT FOR MANUFACTURING